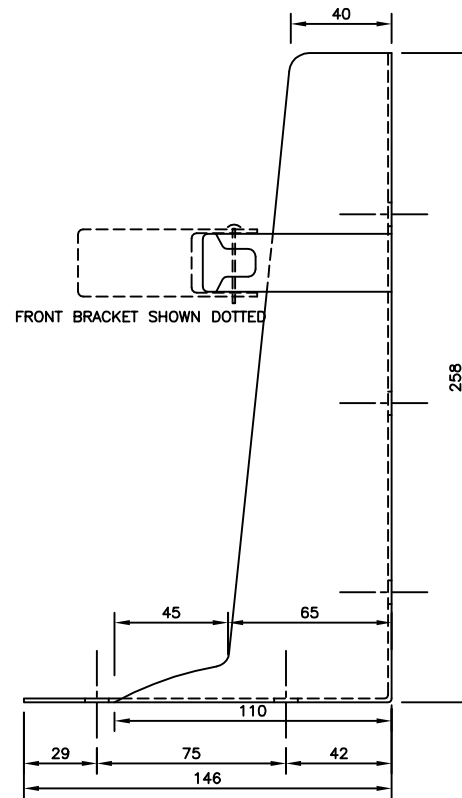
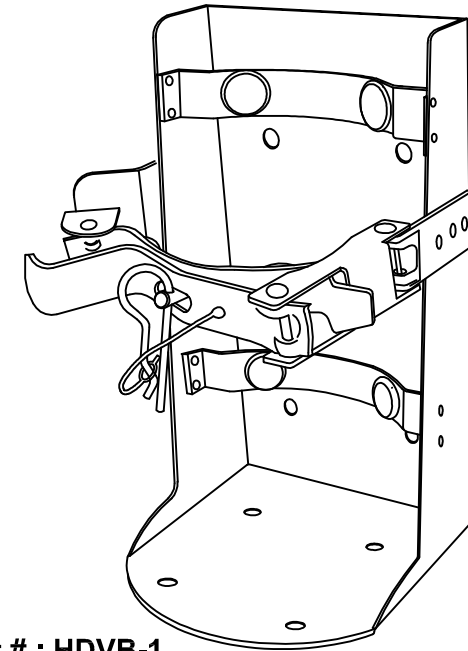


FRONT



SIDE



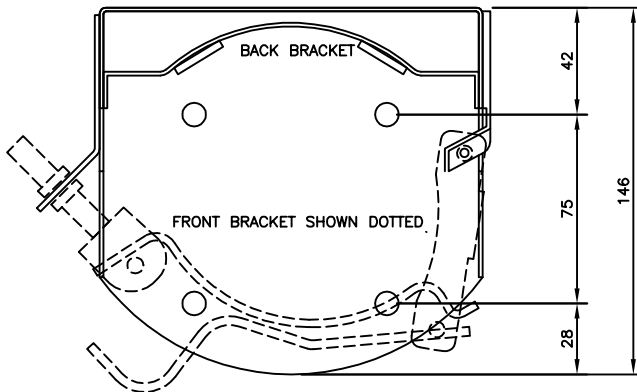
Part # : HDVB-1

Fits Diameter : 101.6mm - 120.6 mm (4 - 4 3/4")

For Strike First Models : WBDL-310

WBDL-340

WBSF-5A



TOP

HEAVY DUTY VEHICLE BRACKETS

- Strong Uni-Body Construction
- Scotchlite™ reflective label for added safety
- Stainless Steel pull pin
- Rounded corners for added safety
- Super durable polyester powder coat finish
- Individually boxed for easy handling



STRIKE FIRST
CORPORATION

Corporate Office:

777 Tapscott Rd.
Scarborough, Ontario

M1X 1A2

Tel. : 416-299-7763

Fax. : 416-299-8039

Toll free tel.: 1-888-575-1132

Toll free fax.: 1-888-575-1134

Web Site : www.strike-first.com

E-Mail : info@strike-first.com