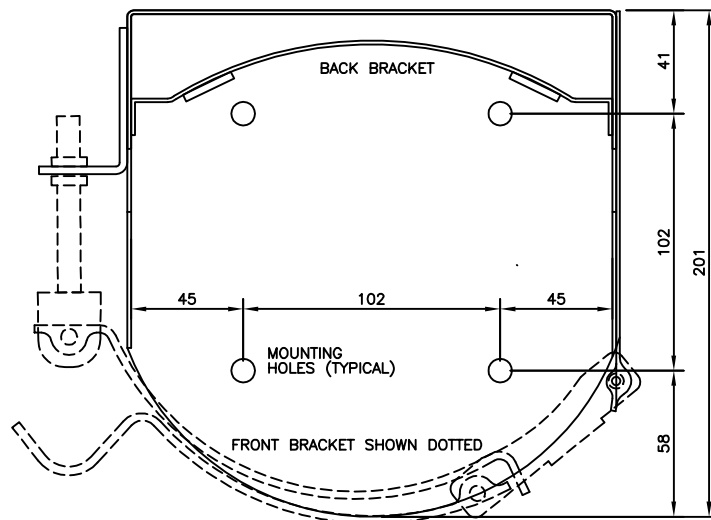
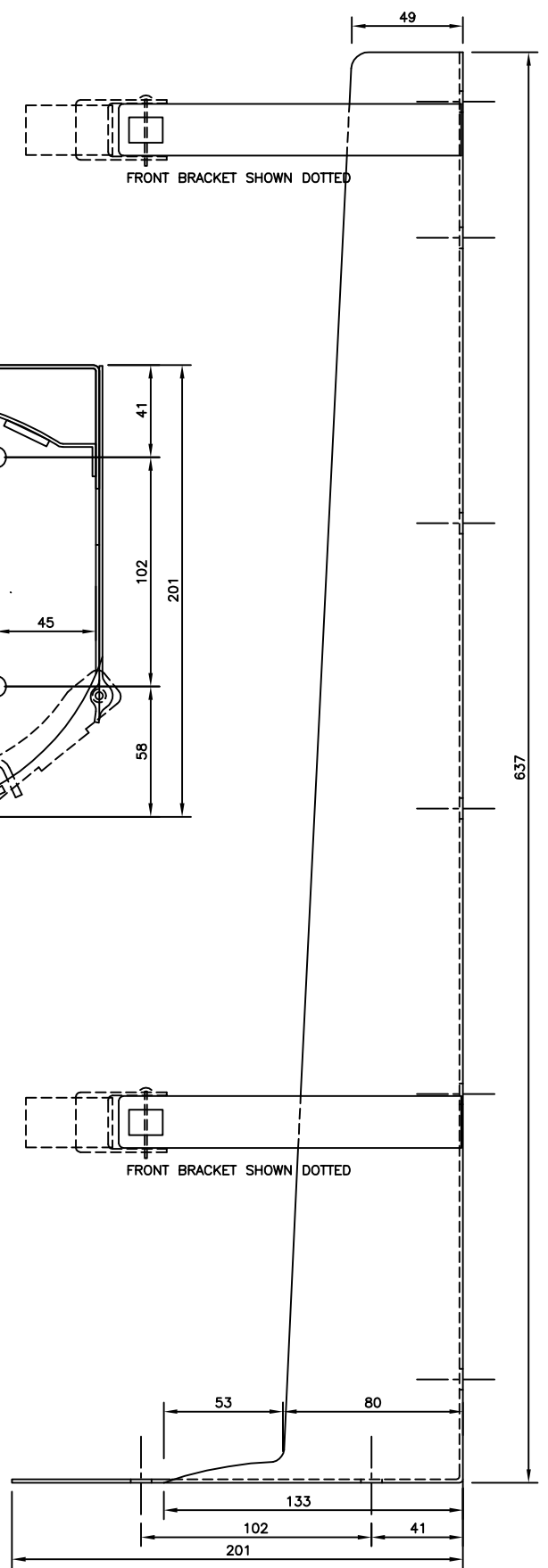


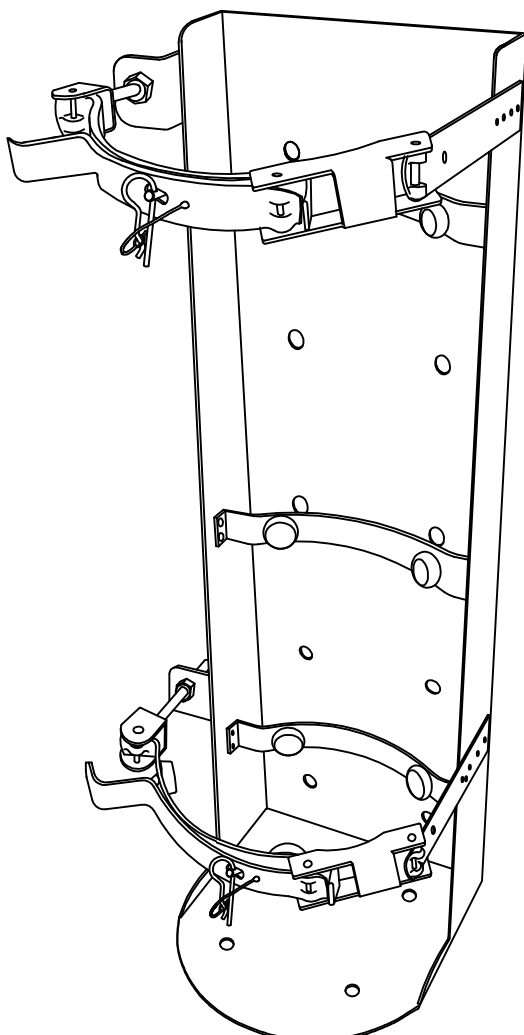
FRONT



TOP



SIDE



Part # : HDVB-4
 Fits Diameter : 158.75mm - 180.97mm (6 1/4 - 7 1/8")
 For Strike First Models :

WBDL-ABC 30
 SF-15C02

HEAVY DUTY VEHICLE BRACKETS

- Strong Uni-Body Construction
- Scotchlite™ reflective label for added safety
- Stainless Steel pull pin
- Rounded corners for added safety
- Super durable polyester powder coat finish
- Individually boxed for easy handling



Corporate Office:

777 Tapscott Rd.
 Scarborough, Ontario
M1X 1A2

Tel. : 416-299-7763
 Fax. : 416-299-8039

Toll free tel.: 1-888-575-1132
 Toll free fax.: 1-888-575-1134

Web Site : www.strike-first.com
E-Mail : info@strike-first.com